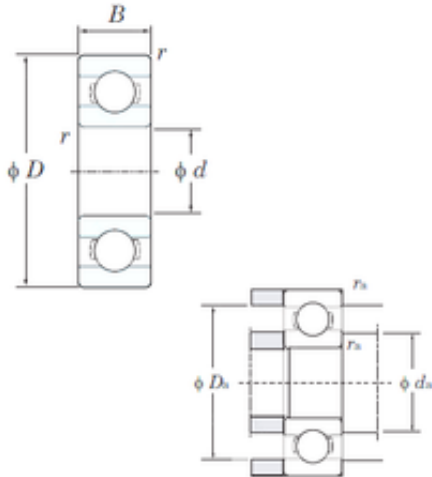




PCI BEARING LTD

SKF NSK NTN Koyo Deep Groove Ball Bearing 606 604 608 Bearing Z Zz Washing Machine



Bearing No. 606

Size	6x17x6 mm
Bore Diameter	6 mm
Outer Diameter	17 mm
Width	6 mm
d	6 mm
D	17 mm
B	6 mm
C	6 mm
r min.	0,3 mm
r1 min.	0,3 mm
da min.	8 mm
Da max.	15 mm
ra max.	0,3 mm
Weight	0,0058 Kg
Basic dynamic load rating (C)	1,95 kN
Basic static load rating (C0)	0,74 kN
(Grease) Lubrication Speed	43000 r/min
(Oil) Lubrication Speed	51000 r/min
Bearing No.	606
r(min)	0.3
Cr	2.45
C0r	0.74
Cu	0.030
f0	12.2
Grease lub.	43000

606 Bearing 2D drawings and 3D CAD models



PCI BEARING LTD

Oil lub.	51000
da(min)	8
Da(max)	15
ra(max)	0.3
(Refer.)Mass(g)	5.8