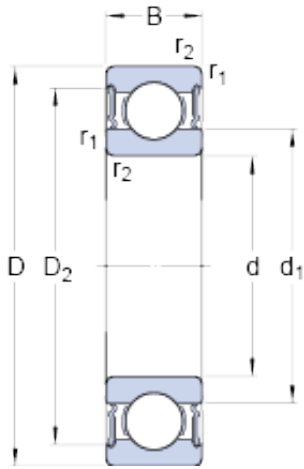




PCI BEARING LTD



50 mm x 110 mm x 40 mm SKF 62310-2RS1 deep groove ball bearings

Bearing No. 62310-2RS1

62310-2RS1 Bearing 2D drawings and 3D CAD models

Size	110x50x40 mm
Bore Diameter	110 mm
Outer Diameter	50 mm
Width	40 mm
d	50 mm
D	110 mm
B	40 mm
d ₁	68.76 mm
D ₂	95.2 mm
r _{1,2} - min.	2 mm
d _a - min.	61 mm
d _a - max.	68.7 mm
D _a - max.	99 mm
r _a - max.	2 mm
Basic dynamic load rating - C	61.8 kN
Basic static load rating - C ₀	38 kN
Fatigue load limit - P _u	1.6 kN
Limiting speed	4300 r/min
Calculation factor - k _r	0.03
Calculation factor - f ₀	13
Category	Single Row Ball Bearings
Inventory	0.0
Manufacturer Name	SKF
Minimum Buy Quantity	N/A



PCI BEARING LTD

Weight / Kilogram	1.624
EAN	7316577080639
Product Group	B00308
Enclosure	2 Seals
Precision Class	ABEC 1 ISO P0
Maximum Capacity / Filling Slot	No
Rolling Element	Ball Bearing
Snap Ring	No
Internal Special Features	No
Cage Material	Steel
Enclosure Type	Contact Seal
Internal Clearance	C0-Medium
Inch - Metric	Metric
Long Description	50MM Bore; 110MM Outside Diameter; 40MM Outer Race Diameter; 2 Seals; Ball Bearing; ABEC 1 ISO P0; No Filling Slot; No Snap Ring; No Internal Special Features
Other Features	Cartridge Bearing
Category	Single Row Ball Bearing
UNSPSC	31171504
Harmonized Tariff Code	8482.10.50.68
Noun	Bearing
Keyword String	Ball
Manufacturer URL	http://www.skf.com
Manufacturer Item Number	62310-2RS1
Weight / LBS	3.574
Outside Diameter	4.331 Inch 110 Millimeter
Bore	1.969 Inch 50 Millimeter
Outer Race Width	1.575 Inch 40 Millimeter
bore diameter:	50 mm



PCI BEARING LTD

static load capacity:	38 kN
outside diameter:	110 mm
precision rating:	ABEC 3 (ISO Class 6)
overall width:	40 mm
finish/coating:	Uncoated
bore type:	Round
cage material:	Steel
closure type:	Double Sealed
outer ring width:	40 mm
row type & fill slot:	Single Row Non-Fill Slot
fillet radius:	2 mm
internal clearance:	C0
maximum rpm:	4300 RPM
operating temperature range:	-40 to +210 ° F
series:	62
dynamic load capacity:	61.8 kN
d_1	68.76 mm
D_2	95.2 mm
$r_{1,2}$ min.	2 mm
d_a min.	61 mm
d_a max.	68.7 mm
D_a max.	99 mm
r_a max.	2 mm
Basic dynamic load rating C	61.8 kN
Basic static load rating C_0	38 kN
Fatigue load limit P_u	1.6 kN
Calculation factor k_r	0.03
Calculation factor f_0	13
Mass bearing	1.61 kg