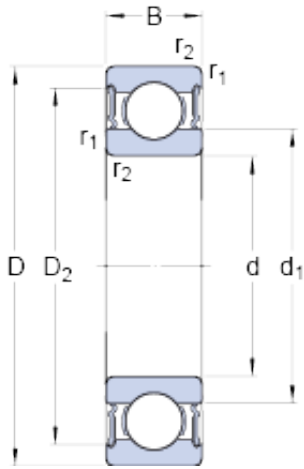




# PCI BEARING LTD



## 105 mm x 130 mm x 13 mm SKF 61821-2RS1 deep groove ball bearings

Bearing No. 61821-2RS1

61821-2RS1 Bearing 2D drawings and 3D CAD models

Size	130x105x13 mm
Bore Diameter	130 mm
Outer Diameter	105 mm
Width	13 mm
d	105 mm
D	130 mm
B	13 mm
d <sub>1</sub>	112.5 mm
D <sub>2</sub>	124.4 mm
r <sub>1,2</sub> - min.	1 mm
d <sub>a</sub> - min.	110 mm
d <sub>a</sub> - max.	112 mm
D <sub>a</sub> - max.	125 mm
r <sub>a</sub> - max.	1 mm
Basic dynamic load rating - C	20.8 kN
Basic static load rating - C <sub>0</sub>	19.6 kN
Fatigue load limit - P <sub>u</sub>	1 kN
Limiting speed	2800 r/min
Calculation factor - k <sub>r</sub>	0.015
Calculation factor - f <sub>0</sub>	13.2
Category	Single Row Ball Bearings
Inventory	0.0
Manufacturer Name	SKF
Minimum Buy Quantity	N/A



## PCI BEARING LTD

Weight / Kilogram	0.348
EAN	7316577100948
Product Group	B00308
Enclosure	2 Seals
Precision Class	ABEC 1   ISO P0
Maximum Capacity / Filling Slot	No
Rolling Element	Ball Bearing
Snap Ring	No
Internal Special Features	No
Cage Material	Steel
Enclosure Type	Contact Seal
Internal Clearance	C0-Medium
Inch - Metric	Metric
Long Description	105MM Bore; 130MM Outside Diameter; 13MM Outer Race Diameter; 2 Seals; Ball Bearing; ABEC 1   ISO P0; No Filling Slot; No Snap Ring; No Internal Special Features
Category	Single Row Ball Bearing
UNSPSC	31171504
Harmonized Tariff Code	8482.10.50.68
Noun	Bearing
Keyword String	Ball
Manufacturer URL	<a href="http://www.skf.com">http://www.skf.com</a>
Manufacturer Item Number	61821 2RS1
Weight / LBS	0.77
Outer Race Width	0.512 Inch   13 Millimeter
Bore	4.134 Inch   105 Millimeter
Outside Diameter	5.118 Inch   130 Millimeter
bore diameter:	105 mm
static load capacity:	19.6 kN



## PCI BEARING LTD

outside diameter:	130 mm
finish/coating:	Uncoated
overall width:	13 mm
bearing material:	Steel
bore type:	Round
cage material:	Steel
closure type:	Double Sealed
fillet radius:	1 mm
row type & fill slot:	Single Row Non-Fill Slot
maximum rpm:	2800 rpm
snap ring included:	Without Snap Ring
weight:	0.72 lb
operating temperature range:	-40 to 212 ° F ° F
manufacturer product page:	<a href="#">Click here</a>
dynamic load capacity:	20.8 kN
manufacturer upc number:	7316577100948
$d_1$	112.25 mm
$D_2$	124.4 mm
$r_{1,2}$ min.	1 mm
$d_a$ min.	110 mm
$d_a$ max.	112 mm
$D_a$ max.	125 mm
$r_a$ max.	1 mm
Basic dynamic load rating C	20.8 kN
Basic static load rating $C_0$	19.6 kN
Fatigue load limit $P_u$	1 kN
Calculation factor $k_r$	0.015
Calculation factor $f_0$	13.2
Mass bearing	0.33 kg