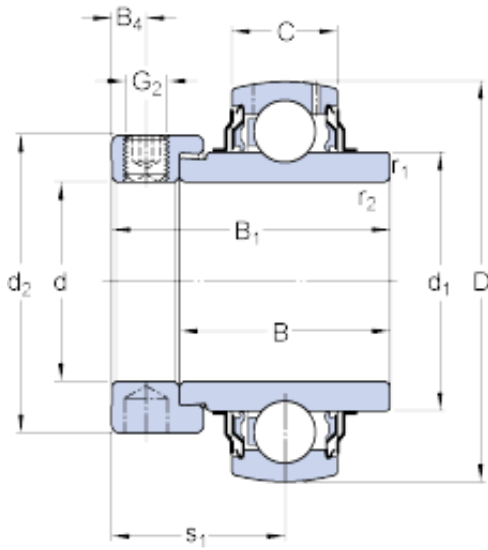




PCI BEARING LTD

19.05 mm x 47 mm x 34.2 mm SKF YEL 204-012-2F deep groove ball bearings

Bearing No. YEL 204-012-2F



YEL 204-012-2F Bearing 2D drawings and 3D CAD models

Size	47x19.05x43.7 mm
Bore Diameter	47 mm
Outer Diameter	19,05 mm
Width	43,7 mm
d	19.05 mm
D	47 mm
B ₁	43.7 mm
C	14 mm
d ₁	28.2 mm
d ₂	32.4 mm
B	34.2 mm
B ₄	4.75 mm
r _{1,2} - min.	0.6 mm
s ₁	26.6 mm
Basic dynamic load rating - C	12.7 kN
Basic static load rating - C ₀	6.6 kN
Fatigue load limit - P _u	0.28 kN
Limiting speed with shaft tolerance h6	8500 r/min
Calculation factor - f ₀	13
Mass bearing	0.2 kg
Thread - G ₂ - 1/4-28 UNF	1/428 UNF
Hexagonal key size for grub screw - H	3.175 mm



PCI BEARING LTD

Category	Mounted Units & Inserts
Inventory	0.0
Manufacturer Name	SKF
Minimum Buy Quantity	N/A
Weight / Kilogram	0
EAN	7316577758217
Product Group	M06110
B ₁	43.7 mm
d ₁	28.2 mm
d ₂	32.4 mm
B ₄	4.75 mm
r _{1,2} min.	0.6 mm
s ₁	26.6 mm
Basic dynamic load rating C	12.7 kN
Basic static load rating C ₀	6.55 kN
Fatigue load limit P _u	0.28 kN
Limiting speed ¹⁾	8500 r/min
Calculation factor f ₀	13
Mass complete bearing	0.21 kg
Thread grub screw G ₂	1/4-28 UNF
Hexagonal key size for grub screw N	3.175 mm
Recommended tightening torque for grub screw	4 N · m
Rubber seating ring	RIS 204